

CATALOGUE

D A T A

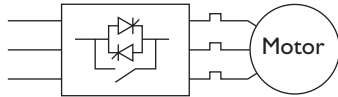
CSX Series Soft Starters



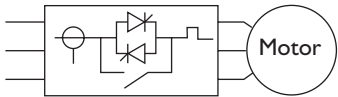
AuCom

AuCom's new CSX Series includes two ranges. Users can choose between a simple soft start control device and an advanced soft start system complete with motor protection. This choice allows selection of a soft start product best suited to an individual application.

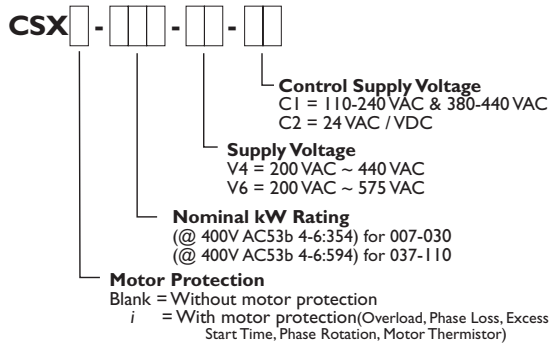
The CSX range is a TVR system that provides soft start and soft stop functionality in a very compact frame.



The CSXi range is a Constant Current system with current measurement and control. It provides a range of motor protection functions in addition to soft start and soft stop.



Power Range	7.5 kW~110 kW @ 400 V
Supply Voltage	3 x 200~440 VAC or 3 x 200~575 VAC
Supply Frequency	45 Hz~66 Hz
Control Voltage	110~240 VAC, 380~440 VAC or 24 VAC / VDC



- Compact design, small footprint
- Simple set-up and installation
- Built-in bypass contactor
- Excellent start ratings and duty
- IP20 up to 55 kW
- DIN rail mounting up to 30 kW
- CE, UL, C-UL, C[✓] & CCC approvals

FEATURE SET

	CSX	CSXi
Starting		
TVR (Timed voltage ramp)	✓	
Constant Current		✓
Current Ramp		✓
Stopping		
Soft Stop	✓	✓
Protection		
Motor Overload		✓
Phase Imbalance		✓
Phase Sequence		✓
Excess Start Time		✓
Motor Thermistor		✓
Supply Fault	✓	✓
Shorted SCR	✓	✓
LED Indication		
Ready/Tripped	✓	✓
Running/Starting-Stopping	✓	✓
Fault Code	✓	✓
Relay Outputs		
Main Contactor	✓	✓
Run		✓
Tripped		✓
Options & Accessories		
Remote Operator	✓	✓
4-20 mA Output		✓
PC Software	✓	✓
AS-i	✓	✓
Modbus RTU	✓	✓
Profibus	✓	✓
DeviceNet	✓	✓

Model	kW	Height mm	Width mm	Depth mm
007	7	203	98	165
015	15			
018	18			
022	22			
030	30	215	145	193
037	37			
045	45			
055	55	240	202	214
075	75			
090	90			
110	110			

